

Version	2.0	Date	3/25/19
Prepared By	JC		

**PRODUCT SPECIFICATION**

<b>Category</b>	Gas Station Canopy
<b>Item Number</b>	7441
<b>Stock Code</b>	LED-FXGSC75/50K/WH
<b>Mounting</b>	Ceiling
<b>Housing Color</b>	White



ELECTRICAL CHARACTERISTICS			
Rated Wattage (W)	75	Replacement Wattage (W)	320
Tested Wattage (W)	74.99		
Input Voltage (V)	120-277V	Surge Protect Level	2KV
Voltage Frequency (Hz)	50/60	Dimmable	-
Input Current (A)	0.63	AUX (12V) Line	-
Power Factor	>0.95		
THD	<20%		

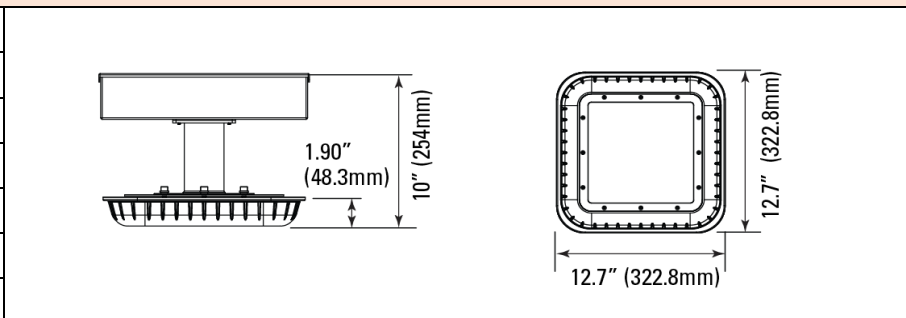
PHOTOMETRIC CHARACTERISTICS			
Lumen (lm)	8,997	CCT (K)	5000K
Efficacy (lm/w)	120	Beam Angle (°)	115°
CRI	>80		

GENERAL CHARACTERISTICS	
Operating Temperature (°F)	-40°F ~ 140°F
Storage Temperature (°F)	-40°F ~ 140°F
IP Rating	IP65
Rated Life (Hrs)	50,000
Warranty (Yrs)	5

ACCESSORIES		
Item #	Stock Code	Description

**PRODUCT DIMENSIONS**

Width- in / (mm)	12.70"	322.8
Height- in / (mm)	10.00"	254
Depth- in / (mm)	12.70"	322.8
EPA (ft²)	-	-
Weight (lbs)	14	-
Mounting Height (ft)	-	-
Cable Length (ft)	-	-



CERTIFICATIONS			
UL/ETL	UL	CEC	
NSF/ETL Sanitation		JA8	
Energy Star		FCC	✓
DLC		RoHs	✓

DOCUMENTS			
LM79	✓	IES File	✓
LM80	✓	Dimmer List	

**COMMENTS**

--